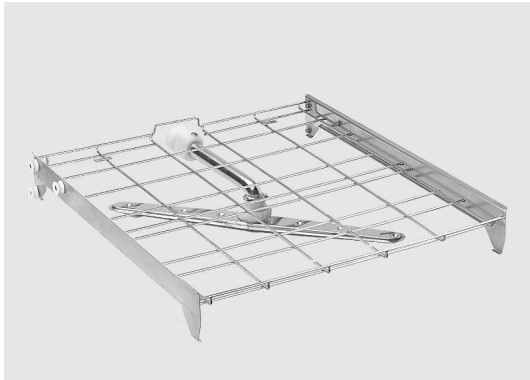


Accessories

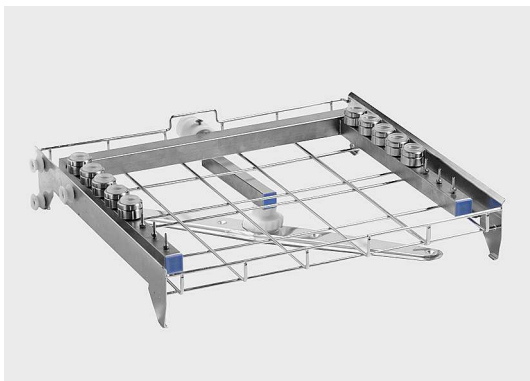
> Upper and lower baskets

for model DS 500 and DS 600 only



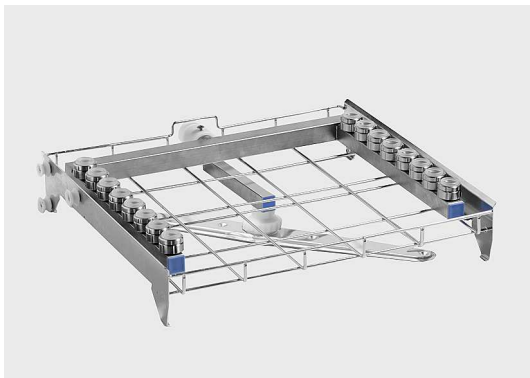
C721 > DS500 Upper basket with washing arm.

C728 > DS600 Upper basket with washing arm.



C705 > DS500 Upper basket with washing arm provided with 10 hand pieces and 6 injector connections.

C748 > DS600 Upper basket with washing arm provided with 10 hand pieces and 6 injector connections.

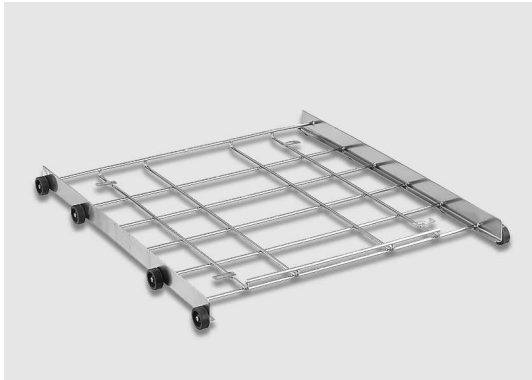


C704 > DS500 Upper basket with washing arm provided with 16 hand pieces connections.

C747 > DS600 Upper basket with washing arm provided with 16 hand pieces connections.

> Basket composition examples





C52 > DS500 Lower basket.
C736 > DS600 Lower basket.



C707 > DS500 Lower basket with 10 hand pieces and 6 injector connections.
C755 > DS600 Lower basket with 10 hand pieces and 6 injector connections.



C706 > DS500 Lower basket with 16 hand pieces connections.
C749 > DS600 Lower basket with 16 hand pieces connections.

Accessories

> Baskets and inserts

for DS 50, DS 50 DRS, DS 50/2 DRS only



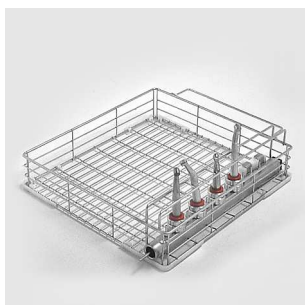
> Standard basket for DS 50

Part # **C05**



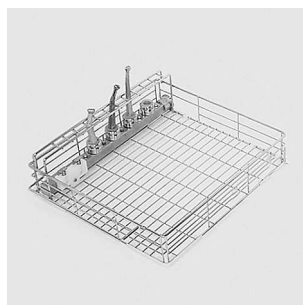
> Standard basket for DS 50 DRS

Part # **C06**



> DS 50 basket with 4 hand pieces and 2 tube connections

Part # **C80**



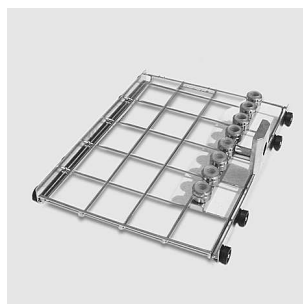
> DS 50 DRS basket with 4 hand pieces and 2 tube connections

Part # **C84**



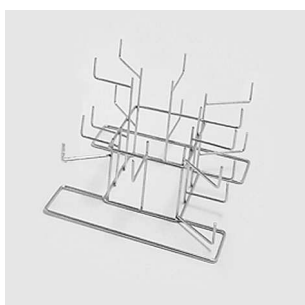
> DS 50 DRS basket with 8 hand pieces connections

Part # **C85**



> DS 50/2 DRS basket with 8 hand pieces connections

Part # **C681**



> Insert for flexible pipes to be used with C80 or C84

Part # **C12**

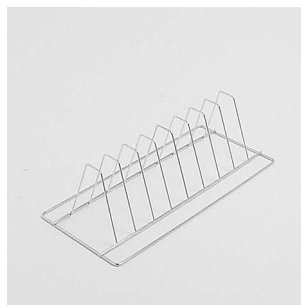
Accessories

> for all washers



> Vertical basket for mirrors and instruments

	(W xDxH)
Part # C03	15.5"x4.9"x4.7" 395x125x120 mm



> 8 positions tray basket

	(W xDxH)
Part # C04	15.3"x7.1"x4.3" 390x180x110 mm



> Net basket for small items

	(W xDxH)
Part # C28	4"x4"x1.6" 100x100x40 mm



> Net basket for rigid instruments

	(W xDxH)
Part # C40	19.1"x10"x2" 485x250x50 mm



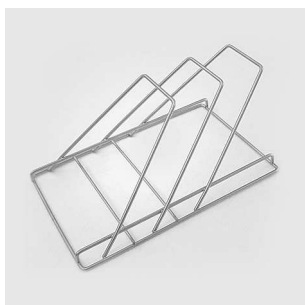
> Net basket DIN 1/1

	(W xDxH)
Part # C62	19.1"x10"x2" 485x250x50 mm



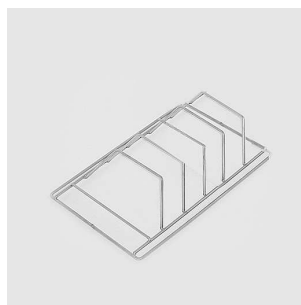
> Net basket DIN 1/2

	(W xDxH)
Part # C66	9.4"x10"x2" 240x250x50 mm



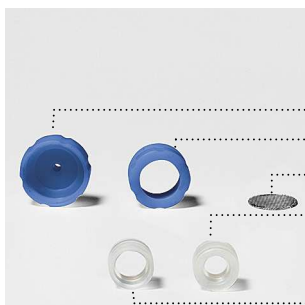
> 3 positions insert for instruments cassette (max height 3.1" [80mm])

	(W xDxH)
Part # C90	15.1"x10"x7.1" 385x250x180 mm



> 4 positions insert for instruments cassette (max height 2" [50 mm])

	(W xDxH)
Part # C91	15.1"x10"x7.1" 385x250x180 mm



> Hand pieces support

Part # C080009	lower part
Part # C080010	upper part
Part # C080006	stainless steel filter
Part # C080001	adapter dm 0.6" dm 15mm
Part # C080005	adapter dm 0.8" dm 20mm

